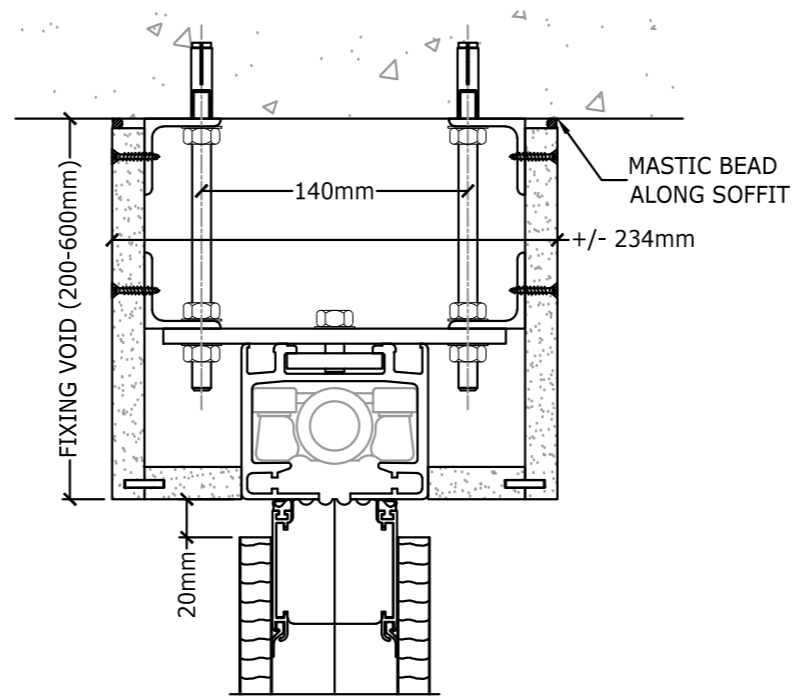


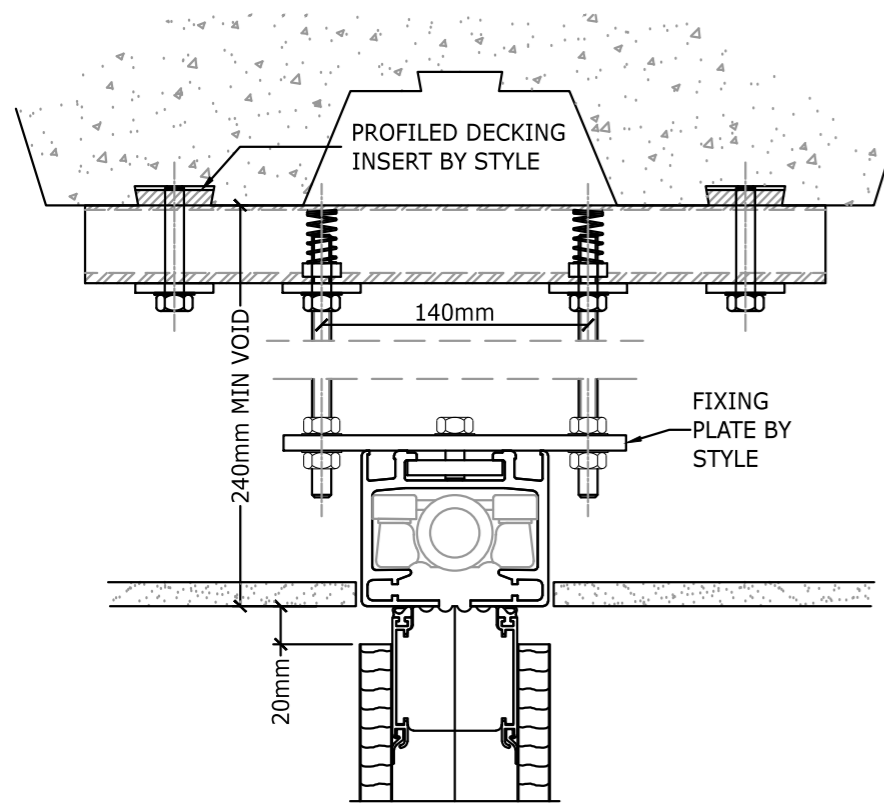
DETAIL-FC1

- FITTED DIRECTLY TO SOFFIT
- 600mm-1200mm REQUIRES BRACING
- SUGGESTED SP DOWNSTAND (LEFT OF TRACK)



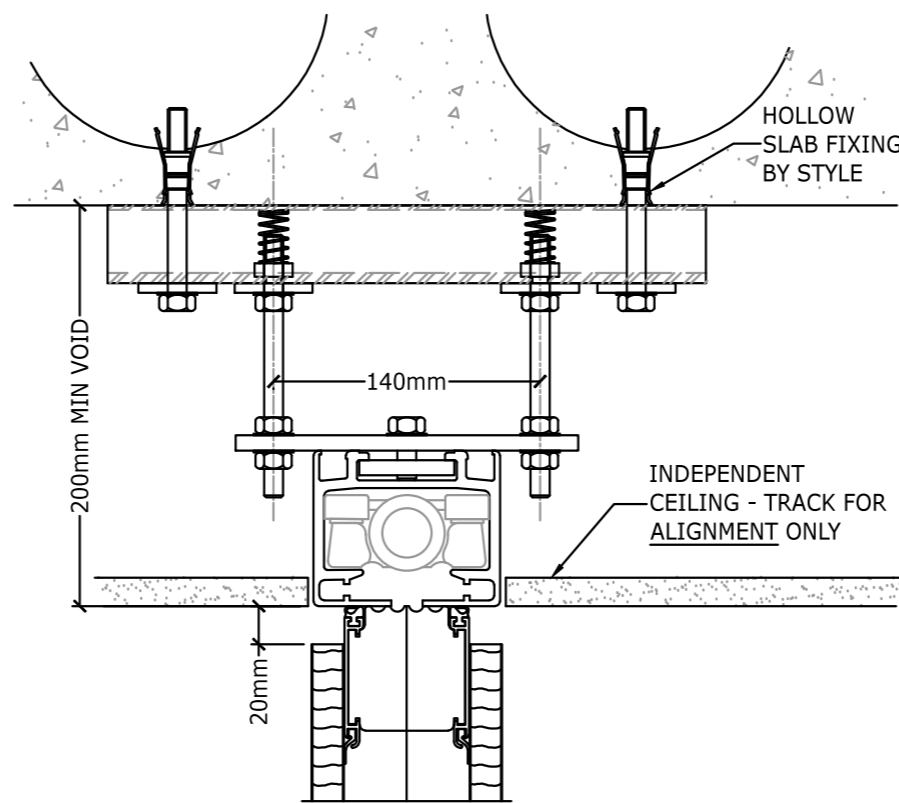
DETAIL-FC2

- DIRECTLY FIXED TO SOFFIT



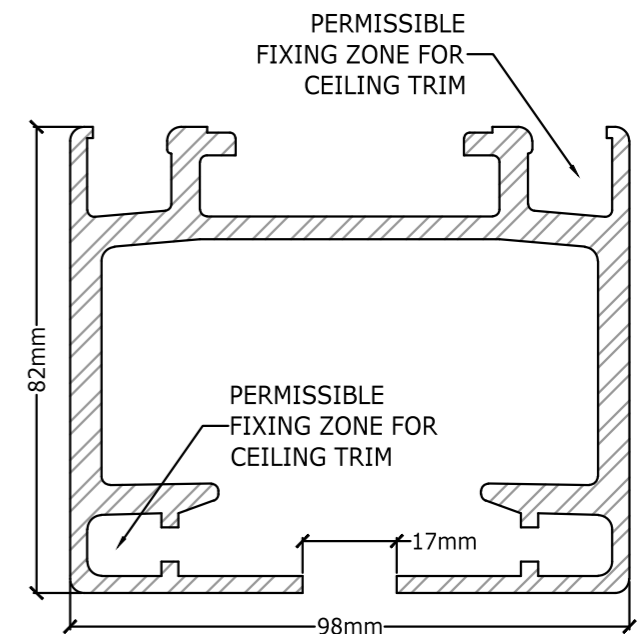
DETAIL-FC3

- FIXING PLATE SUSPENDED FROM CHANNEL
- BRIDGE FIXING ACROSS PROFILED SOFFIT
- CHANNEL FIXED WITH ANCHOR/INSERT



DETAIL-FC4

- FIXING PLATE SUSPENDED FROM CHANNEL
- CHANNEL BRIDGES HOLLOW SOFFIT
- SPECIFIC HOLLOW SLAB INSERTS USED



TYPE-R HEAD TRACK

	Datum	Name	Info-Zeichnung	
Bearb.				
Gepr.			Zeichnungs-Nr:	Maßstab
Norm				
DORMA Hüppe MOBILFAL Hungária Kft. Rétköz utca 5. 1118 Budapest Telefon +36.30.274.1010 			Layout: LAYOUT	
			Ersatz für ERSATZ	