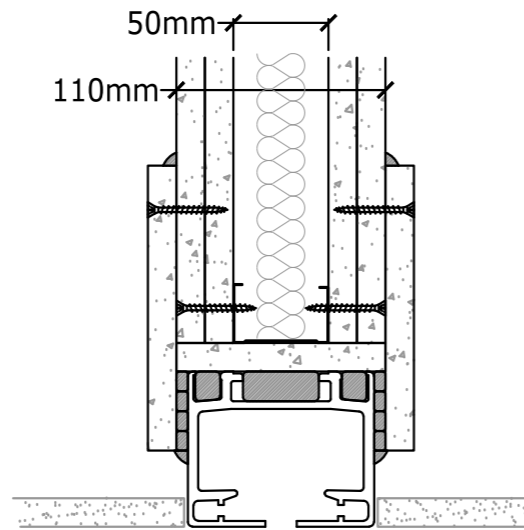
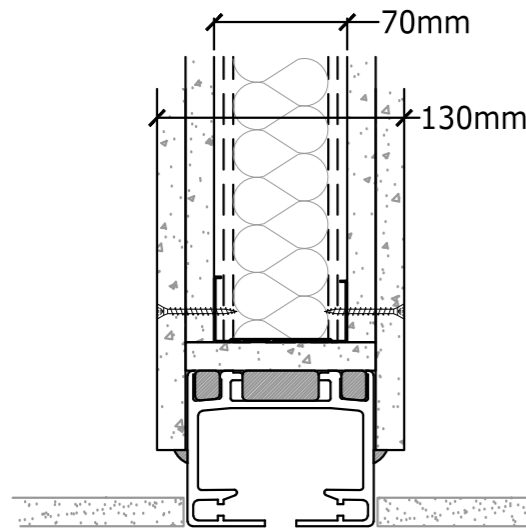


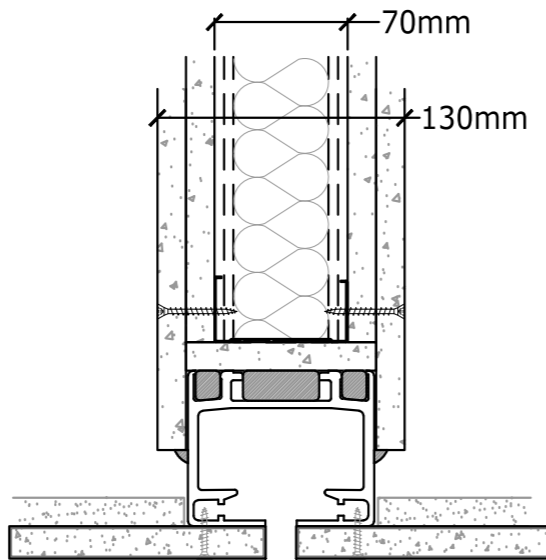
50dB HARDCOVER BAFFLE
(2x 15mm SOUNDSHIELD EITHER SIDE OF 50mm C-STUD @ 600mm CENTRES)



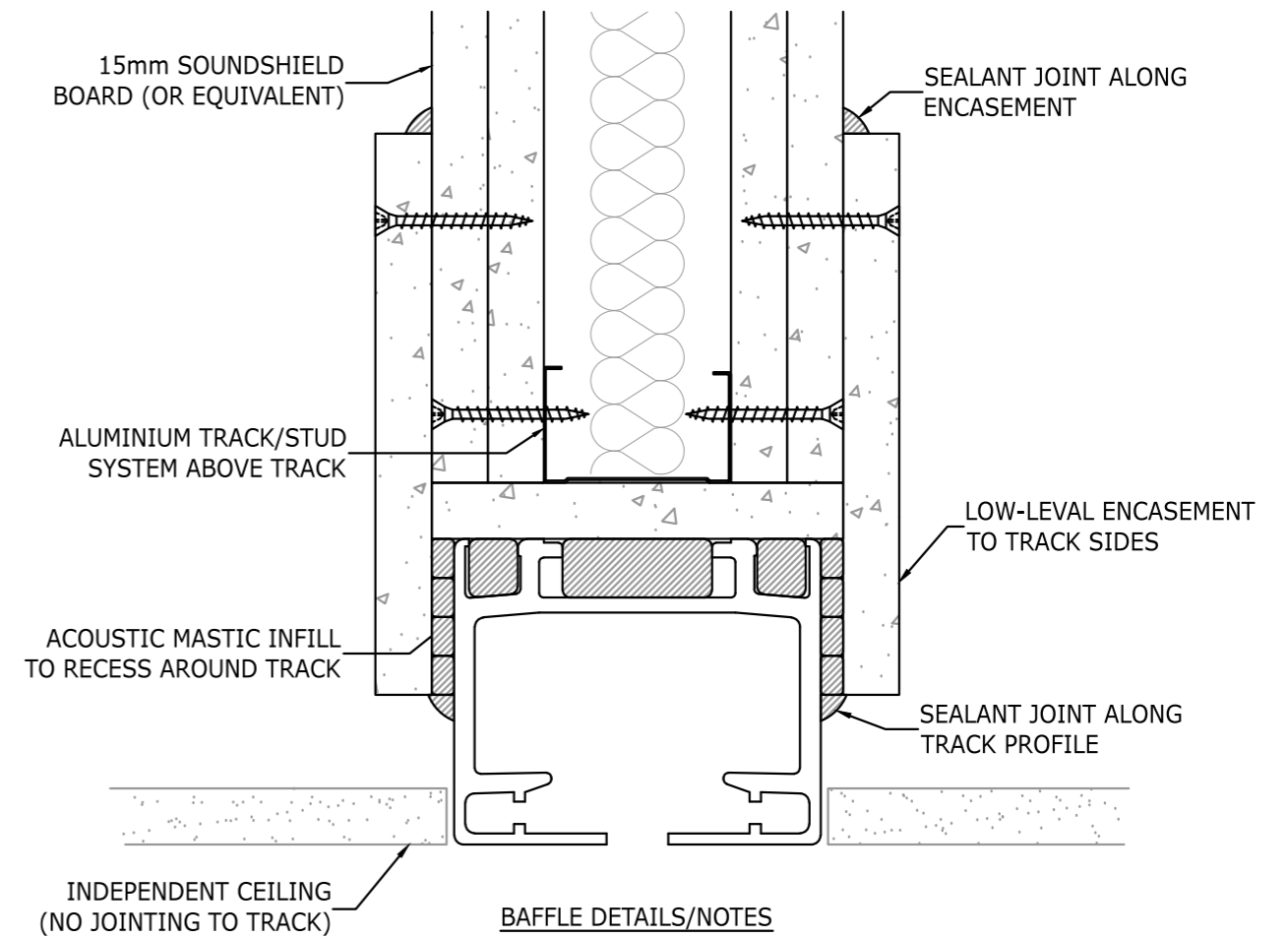
55dB HARDCOVER BAFFLE
(2x 15mm SOUNDSHIELD EITHER SIDE OF 50mm C-STUD c/w 25mm ACOUSTIC ROLL INFILL)



58dB HARDCOVER BAFFLE
(2x 15mm SOUNDSHIELD EITHER SIDE OF 50/60mm STAGGERED I-STUDS @ 300mm CENTRES c/w 50mm ACOUSTIC ROLL INFILL)



60dB HARDCOVER BAFFLE
(2x 15mm SOUNDSHIELD EITHER SIDE OF 50/60mm STAGGERED I-STUDS @ 300mm CENTRES c/w 50mm ACOUSTIC ROLL INFILL & 17mm CASING BENEATH TRACK)



BAFFLE DETAILS/NOTES

| | | | | |
|---|-------|------|-----------------------|---------|
| | Datum | Name | Info-Zeichnung | |
| Bearb. | | | | |
| Gepr. | | | Zeichnungs-Nr: | Maßstab |
| Norm | | | | |
| DORMA Hűpö MOBILFAL Hungária Kft. Rétköz utca 5, 1118 Budapest Telefon +36.30.274.1010  | | | Layout: LAYOUT | |
| | | | Ersatz für ERSATZ | |